

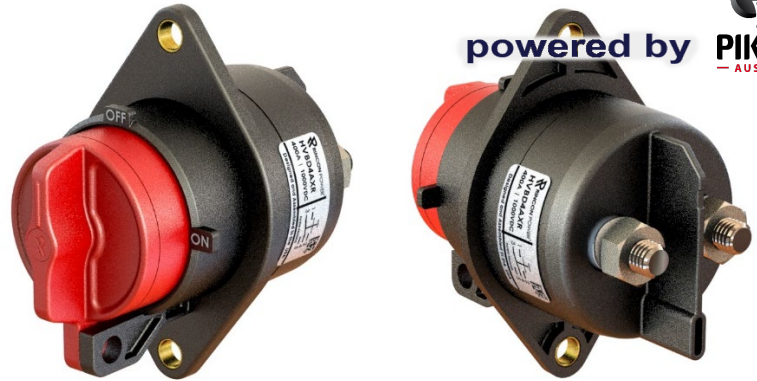
# HVBD SERIES

High Voltage Battery Disconnect

300A Continuous Duty

400A Continuous Duty

600A Continuous Duty



powered by **PIK-AS**  
— AUSTRIA —

## APPLICATIONS



## FEATURES

HVBD is the next level in battery disconnect technology

- Robust metal-ceramic hermetic seal
- Industry leading dielectric withstand voltage
- High temperature performance
- Ultra-low contact resistance over life
- Ready for harsh environments
- Lock-out / tag-out ready for OSHA compliance
- Drop-in replacement for GIGAVAC<sup>1</sup> HBD Series battery disconnect switches
- Optional integrated auxiliary contacts
- Patent pending

## PERFORMANCE

TABLE 1. SPECIFICATIONS	
CHARACTERISTIC	MEASURE
Contact Arrangement	Form X, SPST
Operating Voltage <sup>2</sup>	Up to 1,000VDC (no switching under load)
Dielectric Withstand Voltage	5,000VDC, 1 minute
Continuous Current	300A, 400A, or 600A continuous
Overload Current	See graphs on next page
Make and Break <sup>2</sup> (400A @ 24VDC)	5,000 cycles
Voltage Drop (Max at nominal load)	40mV
Min Insulation Resistance	100Mohm
Shock, 1/2 Sine, 11ms	25G
Vibration, Sinusoidal (10-500Hz Peak)	4G
Vibration, Sinusoidal (500Hz-2000Hz Peak)	20G
Operating Temperature <sup>3</sup>	-55°C to 85°C
Ingress Protection	Exceeds IP69, (Hermetically sealed)
Weight	425g
Case Material	PA GF
Switch Lever Material	PA GF
Mounting	100mm   C:C, 2X M8
Mounting Position	Any
Auxiliary Contact (SPDT)– Continuous Current	3A

<sup>1</sup> GIGAVAC is a registered trademark of GIGAVAC, LLC.

<sup>2</sup> The HVBD is designed to isolate at voltages up to 1000VDC. The HVBD is not intended for make/break switching above 100V.

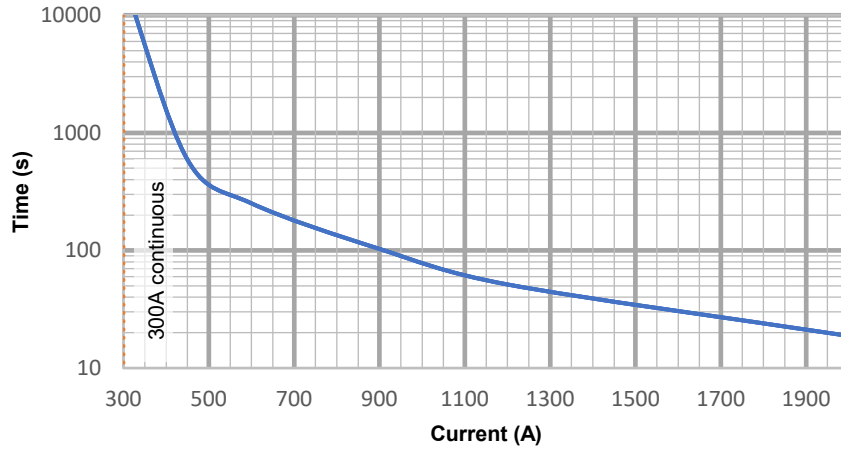
<sup>3</sup> 170°C max terminal temperature.



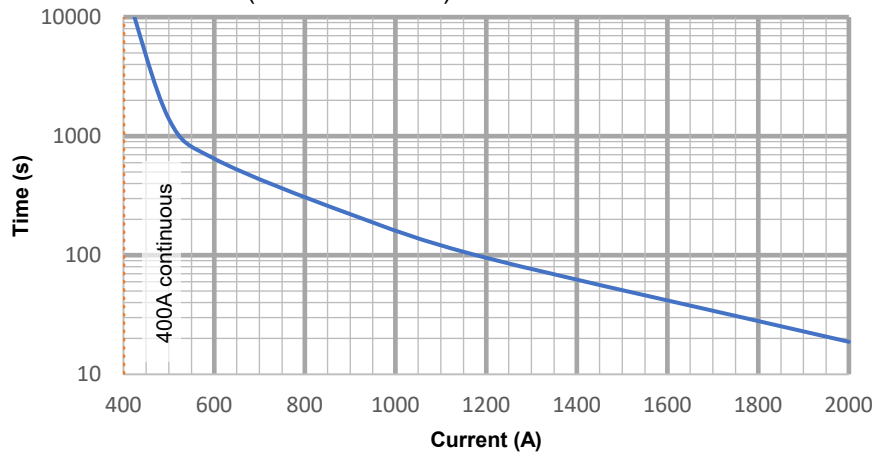
**Application Notes**

- Current carry @ 85°C Ambient (75°C for 600A version)
- 170°C max terminal temperature
- Graphs provided for design reference; user to verify system temperatures

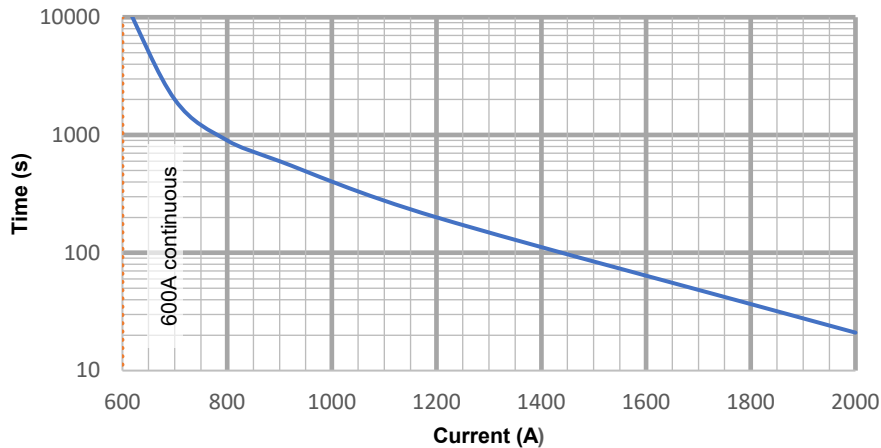
**HVBD3 Series Momentary Current Carry**  
(68mm<sup>2</sup> busbar) / 85°C Ambient



**HVBD4 Series Momentary Current Carry**  
(119mm<sup>2</sup> busbar) / 85°C Ambient



**HVBD6 Series Momentary Current Carry**  
(250mm<sup>2</sup> busbar) / 75° C Ambient



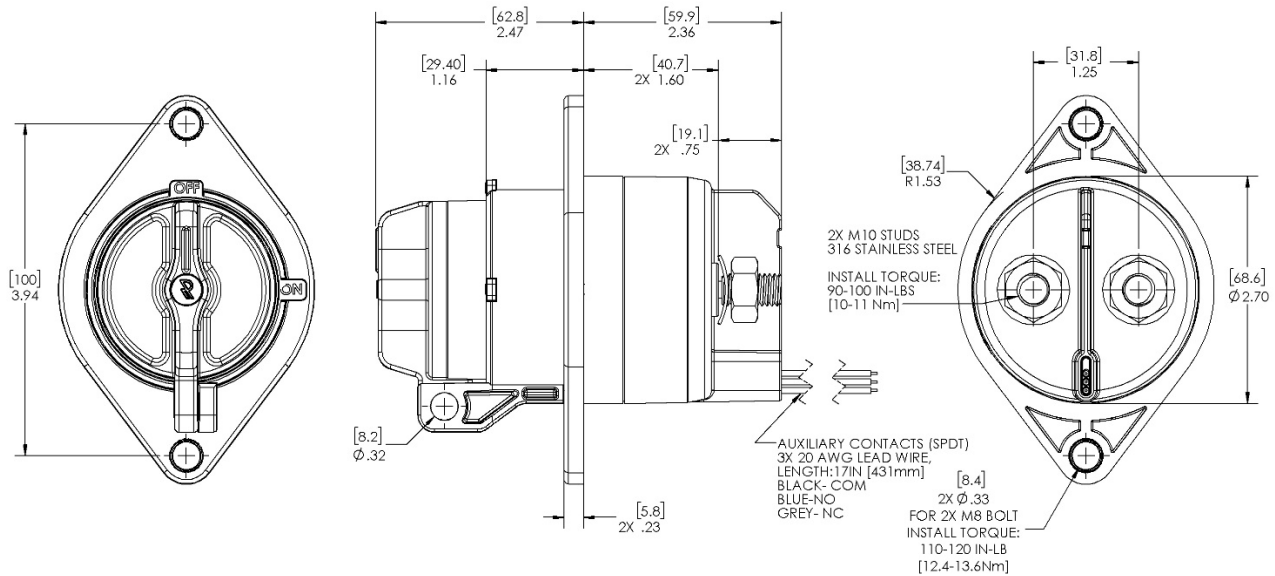


Part Number Key

TABLE 2. PRODUCT NOMENCLATURE				
	CURRENT RATING	MOUNTING	AUXILIARY CONTACTS	HANDLE COLOR
HVBD	3 300 Amp	A 100 mm C:C	A Included	R Red
	4 400 Amp		X None	
	6 600 Amp			

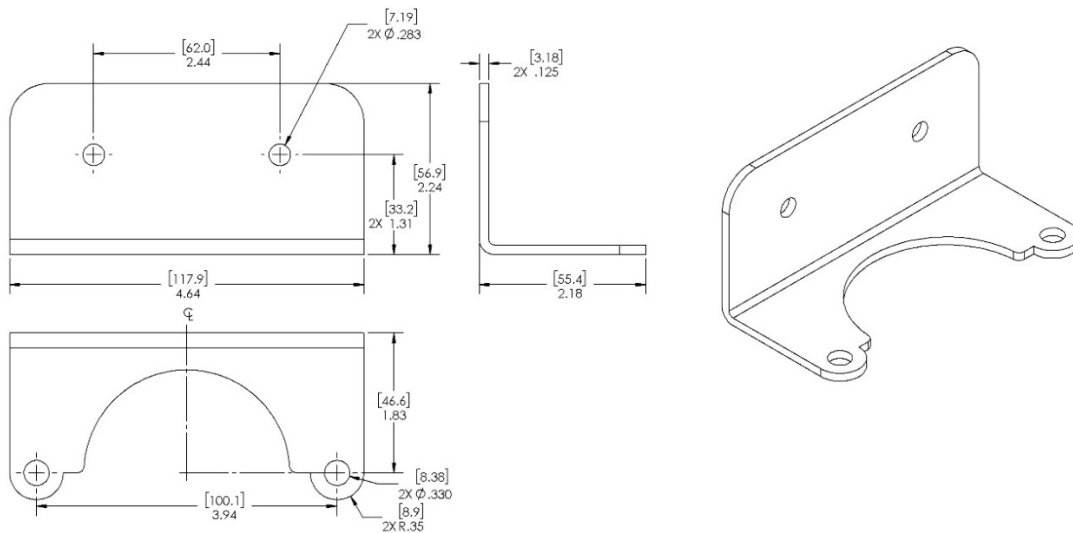
powered by **PIK-AS**  
— AUSTRIA —

PRODUCT DIMENSIONS IN. [mm]



OPTIONS

RP2099 Mounting Bracket



NOTES:

- Contact Rincon Power for optional mounting gasket.
- Contact Rincon Power for optional OSHA certified lockout tagout padlock
- Lockout Tagout Padlock Requirements:
  - Shackle DIA: 9/32"
  - Vertical Clearance: 3/4"
  - Horizontal Clearance: 5/8"

Optional SPDT auxiliary switch details:

- Main contacts close before auxiliary contacts when switching from ON to OFF
- Auxiliary contacts open before main contacts when switching from OFF to ON
- IP67 sealed
- Auxiliary contacts rated to (3A @ 12VDC 100k cycles)