

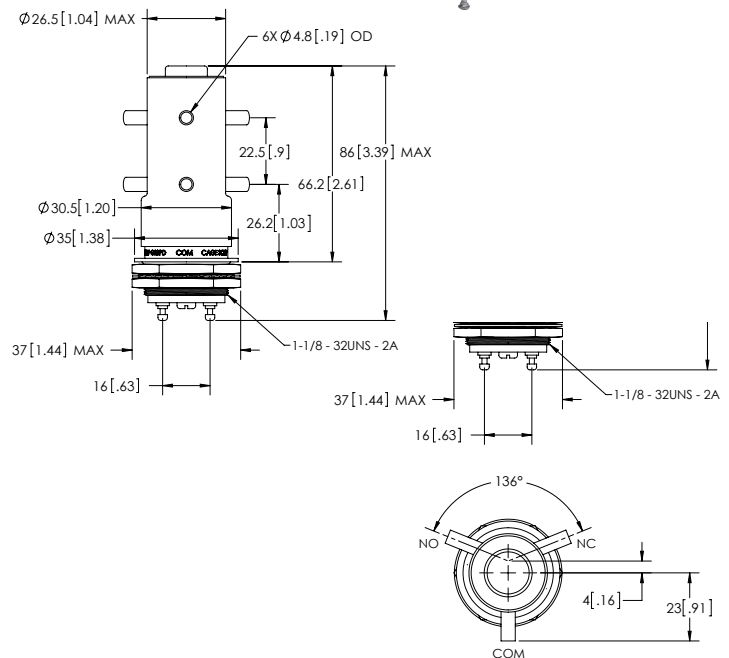
**FEATURES**

- > Low stable contact resistance for high carry current and low voltage drop
- > Low loss in RF circuits
- > Mounting options in any axis
- > Solder or convenient threaded HV connections



**PRODUCT SPECIFICATIONS**

Contact & Relay Ratings	Units	G2SPD
<b>Contact Form</b>		2C
<b>Contact Arrangement</b>		DPDT
Contact Material (moveable/stationary)		molybdenum /tungsten
Dielectric		Vacuum
<b>Voltage, Test Max., Contacts &amp; to Base (15 µA Leakage Max.)</b> dc or 60Hz	kV Peak	17
<b>Voltage, Operating Max., Contacts &amp; to Base (15 µA Leakage Max.)</b>		
dc or 60 Hz	kV Peak	15
2.5 MHz	kV Peak	12
16 MHz	kV Peak	9
32 MHz	kV Peak	7
<b>Current, Load Switching</b>		Contact factory**
<b>Current, Continuous Carry Max</b>		
dc or 60 Hz	Amps	50
2.5 MHz	Amps	30
16 MHz	Amps	17.5
32 MHz	Amps	10
<b>Coil Hi-Pot (V RMS, 60 Hz)</b>	V	500
<b>Capacitance</b>		
Across Open Contacts	pF	1
Contacts to Ground	pF	2.5
<b>Resistance, Contact Max @ 1A, 28 Vdc</b>	ohms	0.012
<b>Operate Time</b>	ms	20
<b>Release Time</b>	ms	8
<b>Life, Mechanical</b>	cycles	1 million
<b>Weight, Nominal</b>	g (oz)	160 (6)
<b>Vibration, Operating, Sine (55-500 Hz Peak)</b>	G's	10
<b>Shock, Operating, 1/2 Sine 11ms (Peak)</b>	G's	1.5
<b>Temperature Ambient Operating</b>	°C	-55 to +125



**COIL RATINGS**

Nominal, Volts dc	12	26.5
Pick-up, Volts dc, Max.	8	16
Drop-Out, Volts dc	.5 - 5	1 - 10
Coil Resistance (Ohms ±10%)	60	285

**PART NUMBER SYSTEM**

G2	S	P	D
<b>High Voltage/Power Terminal Connections</b>	S = Solder Pot W = Screw		
<b>Mounting</b>		P = Through Panel	
<b>Coil Voltage*</b>			D = 26.5 Vdc D-12Vdc = 12Vdc

\*\* Consult factory for load switching applications.

\* Order the relay with the coil voltage in the part number as shown above. The coil voltage will appear on the coil plate near the coil terminals rather than in the P/N on the relay.