

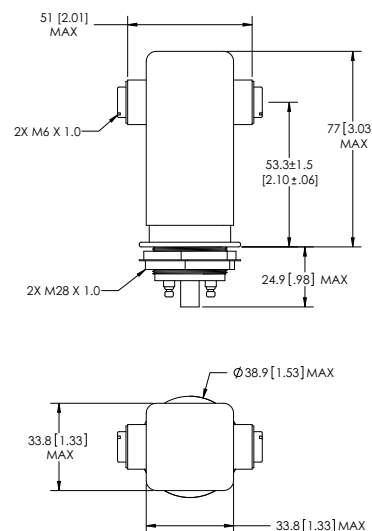
## FEATURES

- > Low stable contact resistance for high carry current and low voltage drop
- > Low loss in RF circuits
- > Mounting options in any axis

## PRODUCT SPECIFICATIONS

Contact & Relay Ratings	Units	G30
Contact Form		Y
Contact Arrangement		SPST-NC
Contact Material (moveable/stationary)		molybdenum /copper
Dielectric		Vacuum
Voltage, Test Max., Contacts & to Base (15 µA Leakage Max.) dc or 60Hz	kV Peak	28
Voltage, Operating Max., Contacts & to Base (15 µA Leakage Max.)		
dc or 60 Hz	kV Peak	25
2.5 MHz	kV Peak	22
16 MHz	kV Peak	10
32 MHz	kV Peak	9
Current, Load Switching		Contact factory**
Current, Continuous Carry Max		
dc or 60 Hz	Amps	100
2.5 MHz	Amps	54
16 MHz	Amps	36
32 MHz	Amps	27
Coil Hi-Pot (V RMS, 60 Hz)	V	500
Capacitance		
Across Open Contacts	pF	2.5
Contacts to Ground	pF	2.5
Resistance, Contact Max @ 1A, 28 Vdc	ohms	0.005
Operate Time	ms	18
Release Time	ms	10
Life, Mechanical	cycles	2 million
Weight, Nominal	g (oz)	342 (12)
Vibration, Operating, Sine (55-500 Hz Peak)	G's	10
Shock, Operating, 1/2 Sine 11ms (Peak)	G's	30
Temperature Ambient Operating	°C	-55 to +125

\*\* Consult factory for load switching applications.



## COIL RATINGS

Nominal, Volts dc	12	26.5	115
Pick-up, Volts dc, Max.	8	16	80
Drop-Out, Volts dc	.5 - 5	1 - 10	5 - 50
Coil Resistance (Ohms ±10%)	24	120	2000

## PART NUMBER SYSTEM

G30	W	P	
High Voltage/ Power Terminal Connections	W = Screw		
Mounting		P = Through Panel	
Coil Voltage*			Blank = 26.5 Vdc -12Vdc = 12Vdc -115Vdc = 115Vdc

\* Order the relay with the coil voltage in the part number as shown above. The coil voltage will appear on the coil plate near the coil terminals rather than in the P/N on the relay.