

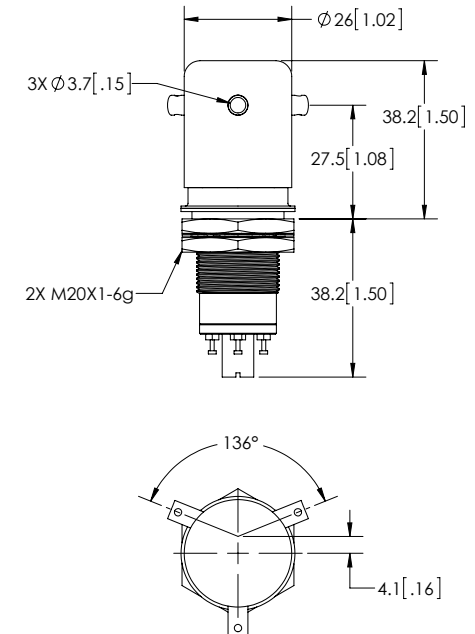


FEATURES

- > Gas dielectric excellent for effectively bounceless make load applications**
- > Excellent for capacitive discharge and safety dump switch applications
- > Latching coils for lower power consumption
- > Unglazed ceramic housing simplifies custom encapsulation

PRODUCT SPECIFICATIONS

Contact & Relay Ratings	Units	G60L
Contact Form		C - latch
Contact Arrangement		SPDT
Contact Material (moveable/stationary)		molybdenum /tungsten
Dielectric		Inert Gas
Voltage, Test Max., Contacts & to Base (15 µA Leakage Max.) dc or 60Hz	kV Peak	40***
Voltage, Operating Max., Contacts & to Base (15 µA Leakage Max.) dc or 60 Hz	kV Peak	35***
Current, Load Switching		Contact factory**
Current, Continuous Carry Max dc or 60 Hz	Amps	12
Coil Hi-Pot (V RMS, 60 Hz)	V	500
Resistance, Contact Max @ 1A, 28 Vdc	ohms	1.0
Latch Time	ms	15
Reset Time	ms	15
Life, Mechanical	cycles	1 million
Weight, Nominal	g (oz)	84 (3)
Vibration, Operating, Sine (55-500 Hz Peak)	G's	10
Shock, Operating, 1/2 Sine11ms (Peak)	G's	50
Temperature Ambient Operating	°C	-55 to +125



PART NUMBER SYSTEM

G60L	S	P	
High Voltage/ Power Terminal Connections	S = Solder Pot		
Mounting		P = Through Panel	
Coil Voltage*			Blank = 26.5 Vdc

COIL RATINGS

Nominal, Volts dc	26.5
Pick-up, Volts dc, Max.	18
Drop-Out, Volts dc	1 - 10
Coil Resistance (Ohms ±10%)	

- * Order the relay with the part number as shown. The latching "L" designator and the coil voltage will not appear in the P/N on the relay but will be indicated on the label that is on the base of the relay. Observe coil polarity.
- ** Consult factory for load switching applications.
- *** Voltage ratings, Test Max and Operating Max, are based on customer supplied additional external isolation by encapsulation or immersion in a dielectric fluid.