

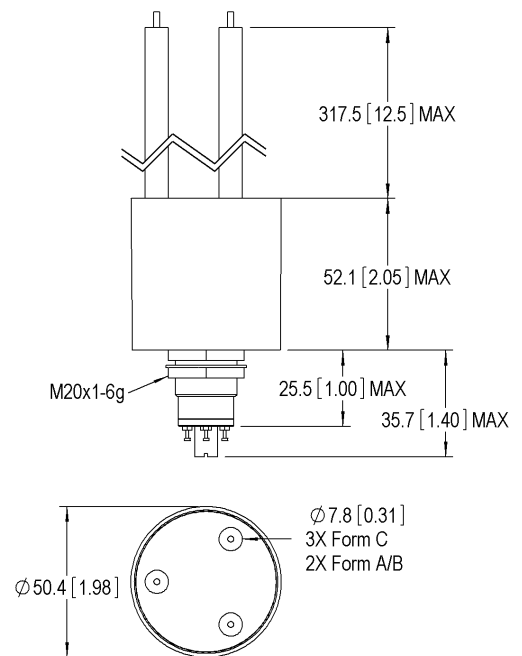
FEATURES

- > Compact design saves precious space while isolating 25kV
- > Latching coils for lower power consumption
- > Mounting options in any axis
- > Rugged HV wire leads means safe and easy installation



PRODUCT SPECIFICATIONS

| Contact & Relay Ratings | Units | G62LC |
|---|---------|----------------------|
| Contact Form | | R - latch |
| Contact Arrangement | | SPDT |
| Contact Material (moveable/stationary) | | molybdenum /tungsten |
| Dielectric | | Inert Gas |
| Voltage, Test Max., Contacts & to Base (15 µA Leakage Max.) dc or 60Hz | kV Peak | 30 |
| Voltage, Operating Max., Contacts & to Base (15 µA Leakage Max.) dc or 60 Hz | kV Peak | 25 |
| Current, Load Switching | | Contact factory** |
| Current, Continuous Carry Max dc or 60 Hz | Amps | 18 |
| Coil Hi-Pot (V RMS, 60 Hz) | V | 500 |
| Resistance, Contact Max @ 1A, 28 Vdc | ohms | 0.5 |
| Latch Time | ms | 15 |
| Reset Time | ms | 15 |
| Life, Mechanical | cycles | 1 million |
| Weight, Nominal | g (oz) | 336 (12) |
| Vibration, Operating, Sine (55-500 Hz Peak) | G's | 10 |
| Shock, Operating, 1/2 Sine11ms (Peak) | G's | 20 |
| Temperature Ambient Operating | °C | -55 to +85 |



COIL RATINGS

| | |
|-----------------------------|-------------|
| Nominal, Volts dc | 26.5 |
| Pick-up, Volts dc, Max. | 18 |
| Drop-Out, Volts dc | 1 - 10 |
| Coil Resistance (Ohms ±10%) | 180 |

* Order the relay with the part number as shown. The latching "L" designator and the coil voltage will not appear in the P/N on the relay but will be indicated on the label that is on the base of the relay. Observe coil polarity.

** Consult factory for load switching applications.

PART NUMBER SYSTEM

| G62LC | 8 | 4 | 1 |
|---------------------------------|-------------------------------|---|--------------|
| Coil Voltage* | 8 = 26.5 Vdc, Turret Terminal | | |
| High Voltage Connections | | 4 = Flying Leads, 12" 7 = Flying Leads, 72" 8 = Flying Leads, 36" | |
| Mounting | | | 1 = Threaded |

Ratings listed are for 25°C, sea level conditions