

**FEATURES**

- > Possibly the smallest 70kV relay in the universe
- > Flying wire leads provide easy power connection
- > Mounting options in any axis
- > Gas dielectric is superior for make load applications \*



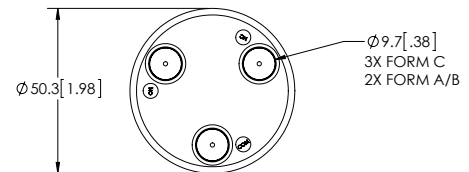
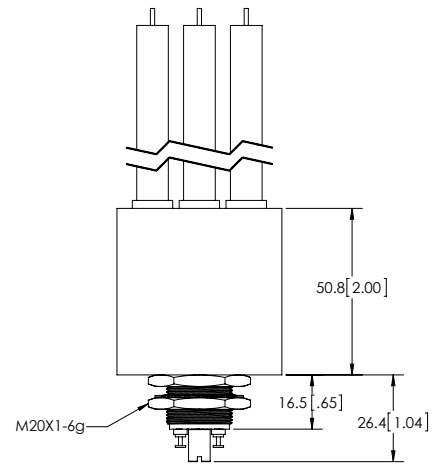
**PRODUCT SPECIFICATIONS**

Contact & Relay Ratings	Units	G71C
<b>Contact Form</b>		C
<b>Contact Arrangement</b>		SPDT
Contact Material (moveable/stationary)		molybdenum /tungsten
Dielectric		Inert Gas
<b>Voltage, Test Max., Contacts &amp; to Base (15 µA Leakage Max.) dc</b>	kV dc	75
<b>Voltage, Operating Max., Contacts &amp; to Base (15 µA Leakage Max.)</b>		
dc	kV dc	70
60 Hz RMS	kV Peak	30
<b>Current, Load Switching</b>		Contact factory*
<b>Current, Continuous Carry Max</b> dc or 60 Hz	Amps	10
<b>Coil Hi-Pot (V RMS, 60 Hz)</b>	V	500
<b>Resistance, Contact Max @ 1A, 28 Vdc</b>	ohms	2.0
<b>Operate Time</b>	ms	20
<b>Release Time</b>	ms	15
<b>Life, Mechanical</b>	cycles	500,000
<b>Weight, Nominal</b>	g (oz)	336 (12)
<b>Vibration, Operating, Sine (55-500 Hz Peak)</b>	G's	10
<b>Shock, Operating, 1/2 Sine11ms (Peak)</b>	G's	20
<b>Temperature Ambient Operating</b>	°C	-50 to +85

\* Consult factory for load switching applications.

**COIL RATINGS**

Nominal, Volts dc	12	26.5	115
Pick-up, Volts dc, Max.	9	22	90
Drop-Out, Volts dc	.5 - 5	1 - 10	5 - 50
Coil Resistance (Ohms ±10%)	18	75	1300



**PART NUMBER SYSTEM**

G71C	7	4	1
<b>Coil Voltage</b>	7 = 12 Vdc, Turret Terminal 8 = 26.5 Vdc, Turret Terminal 9 = 115 Vdc, Turret Terminal		
<b>High Voltage Connections</b>		4 = Flying Leads, 12" 7 = Flying Leads, 72" 8 = Flying Leads, 36"	
<b>Mounting</b>			1 = Threaded

Ratings listed are for 25°C, sea level conditions