



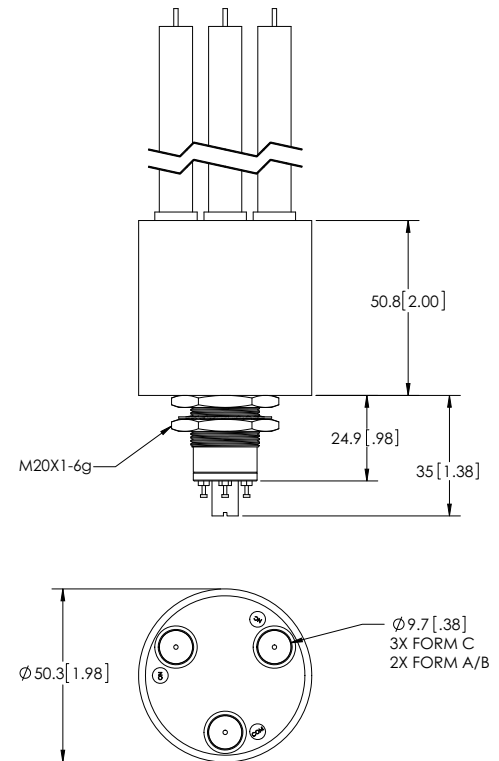
FEATURES

- Compact design saves precious space while isolating 70kV
- Flying leads provide versatile high voltage connections
- Latching coils require no holding power
- Jam nut panel mount makes installation easy

PRODUCT SPECIFICATIONS

Contact & Relay Ratings	Units	G71LA
Contact Form		P
Contact Arrangement		SPST
Voltage, Test Max., Contacts & to Base (15 µA Leakage Max., dc)	kV dc	75
Voltage, Operating Max., Contacts & to Base (15 µA Leakage Max.)		
dc	kV dc	70
60 Hz RMS	kV Peak	30
Current, Continuous Carry Max		
dc or 60 Hz	Amps	10**
Coil Hi-Pot (V RMS, 60 Hz)	V	500
Resistance, Contact Max @ 1A, 28 Vdc	ohms	2.0
Latch Time	ms	20
Reset Time	ms	15
Life, Mechanical	cycles	500,000
Weight, Nominal	g (oz)	336 (12)
Vibration, Operating, Sine (55-500 Hz Peak)	G's	10
Shock, Operating, 1/2 Sine 11ms (Peak)	G's	20
Temperature Ambient Operating	°C	-55 to +85

Ratings listed are for 25°C, sea level conditions



COIL RATINGS

Nominal, Volts dc	26.5
Pick-up, Volts dc, Max.	22
Drop-Out, Volts dc	1 - 10
Coil Resistance (Ohms ±10%)	

* Order the relay with the part number as shown. The latching "L" designator and the coil voltage will not appear in the P/N on the relay but will be indicated on the label that is on the base of the relay. Observe coil polarity.

** Consult factory for load switching applications.

PART NUMBER SYSTEM

G71LA	8	4	1
Coil Voltage*	8 = 26.5 Vdc, Turret Terminal		
High Voltage Connections		4 = Flying Leads, 12" 7 = Flying Leads, 72" 8 = Flying Leads, 36"	
Mounting			1 = Threaded