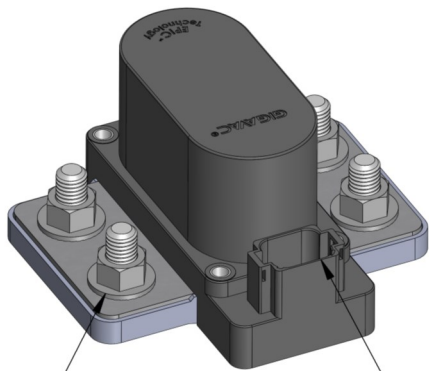


Key Features

EPIC® Seal	Ceramic to metal braze. Gas filled hermetic chamber protects key components. Exceeds IP69K standard
Contacts / Form	Silver / SPST / NO
Coil	Efficient two coil design with no PWM or EMI emissions. Coil suppression built in
High Shock and Vibration	For rugged environments, off-road and tracked vehicles
Installation	Not direction sensitive
Made in USA	Designed and manufactured in the USA
Reference	MIL-R-6106, RoHS

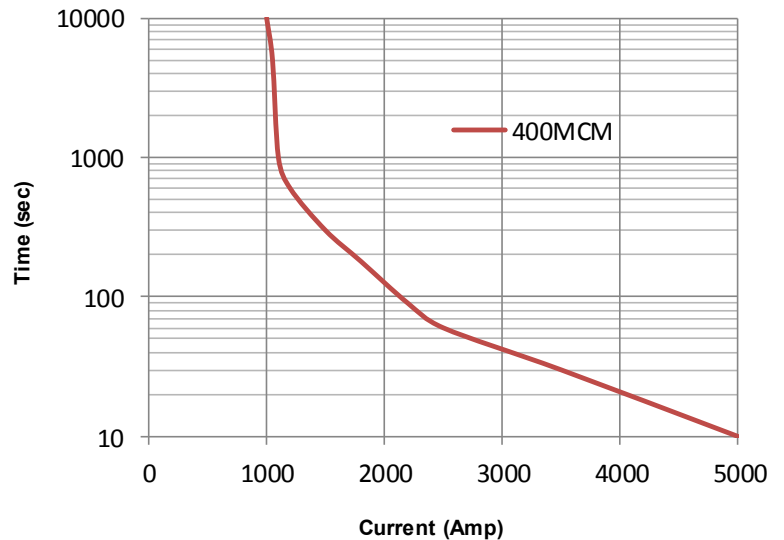


POWER CONNECTION
 ZINC PLATED M12X1.75 BOLT
 STAINLESS M12X1.75 FLANGED NUT
 TORQUE 200-300 IN-LB (22-33 Nm)

MATING DEUTSCH CONNECTOR *	
PART NUMBER	DESCRIPTION
DT06-08SA	CONNECTOR HOUSING
0462-201-16141	SOCKET
114017	SEALING PLUG
HDT-48-00	RECOMMENDED CRIMPER
W8S	WEDGE

* AVAILABLE AS AN ASSEMBLY [\(0697-1/2\)](#)

Current Carry vs Time
 with 85°C terminal temperature rise



PIK-AS Austria GmbH - Elektrotechnische Fabrikate -		AT-7433 Mariasdorf
www.pikas.at	office@pikas.at	+43 3353 7613
Rev 5	9/24/15	© 2013 GIGAVAC, LLC Page 1 of 2 MX110

Technical Specification	
Continuous Current	1000A w/ 400MCM (see graph on reverse)
Max Current—1 sec	6000A
Max Current—10 sec	5000A
Max Current—90 sec	3000A
Contact Voltage Drop (max)	150mV at 1000A
Contact Res. @ 1000A	0.15mΩ
Insulation Resistance (min)	100MΩ (50MΩ after life)
Dielectric Withstanding	1500VRMS (1050 VRMS after life)
Operate Time (max)	20 msec (include bounce)
Release Time (max)	20 msec
Weight	3.6 lb (1.6 kg) with nuts and washers

Resistive Load Switching	
1000A at 24 VDC	40,000 cycles
Mechanical Life	300,000 cycles
Fault Interrupt @ 28VDC	4000A

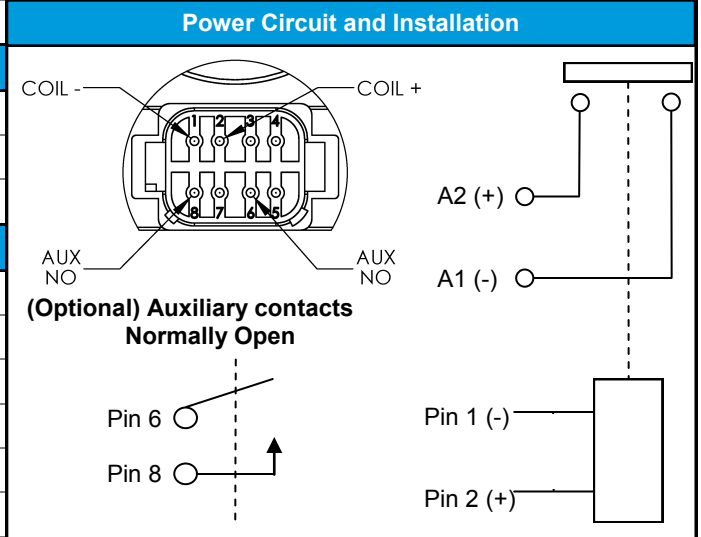
Environmental Specifications	
Seal	Hermetic, 10 E-9 atm cc/sec
Temperature Range	-55°C to +100°C
Shock	Sawtooth @ 20G, 11ms, ½ Sine @ 25G, 11ms
Vibration	10-2000 Hz, 20G
Water / Steam	2750 psi waterjet, 105 psi steam, boiling water
Salt Spray Corrosion	MIL-STD-810G
Resistant to corrosion, chemicals, and fungal growth	

Auxiliary contacts (optional) - Form A, SPST Normally Open	
Switching Current (max)	1A at 28VDC
Switching Current (min)	0.1mA at 5V

Coil Ratings at 25°C		
*Contact factory for additional coil voltages		
Coil P/N Designation	B	C
Coil Voltage, Nominal	12 VDC	24 VDC
Coil Voltage, Max	16 VDC	32 VDC
Pick-Up Voltage, Max	8.5 VDC	16.5 VDC
Drop-Out Voltage	0.5 to 5.5 VDC	0.5 to 10 VDC
Pick-Up Current, Max (250ms)	5.1 A	2.6 A
Coil Current	1.28 A	0.64 A
Coil Power	14.5 W	14.5 W
Coil Back EMF ¹	0V	

¹ Coils are switched internally with a FET, so no fly-back/suppression voltage is seen at the coil inputs.

Ordering Key
<p>MX110 _ E _</p> <p>Coil Voltage: <i>B = 12V</i> <i>C = 24V/28V</i></p> <p>Auxiliary Contacts: <i>Blank = none</i> <i>B = SPST, Normally Open</i> <i>C = SPST, Normally Closed</i></p>



Options and Accessories	
0696	Mating Deutsch Connector (not assembled)
0697	Mating Deutsch Connector Assembly

PIK-AS Austria GmbH - Elektrotechnische Fabrikate -		AT-7433 Mariasdorf
www.pikas.at	office@pikas.at	+43 3353 7613
Rev 5	9/24/15	© 2013 GIGAVAC, LLC Page 2 of 2 MX110