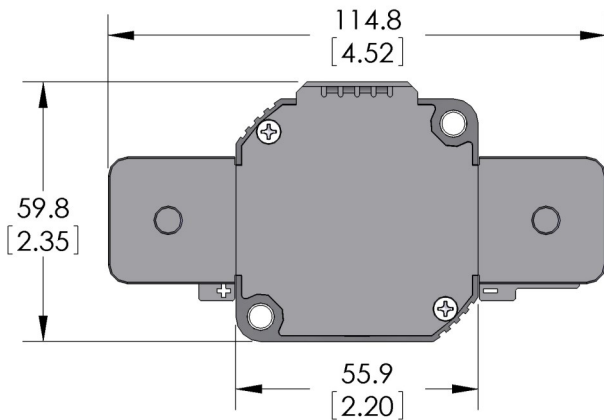
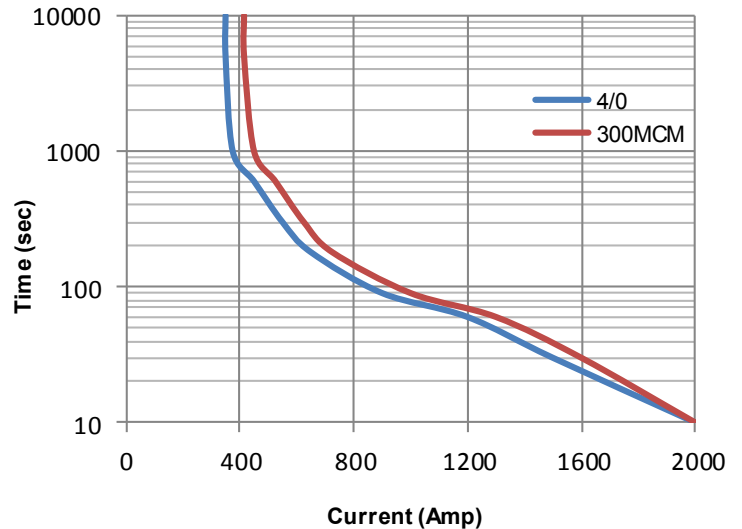


Key Features

EPIC® Seal	Ceramic to metal braze. Gas filled hermetic chamber protects key components. Exceeds IP69K standard
Temperature	Tested to temperatures up to 200°C
Contacts / Form	Silver / SPST / NC
Coil	Efficient two coil design with no PWM or EMI emissions. Coil suppression built in
High Shock and Vibration	For rugged environments, off-road and tracked vehicles
Installation	Not direction sensitive
Made in USA	Designed and manufactured in the USA
Reference	MIL-R-6106, RoHS



Current Carry vs Time with 85°C terminal temperature rise



Power Terminals

Stainless M10 X 1.5 Bolt
Stainless M10 X 1.5 Nut
Stainless Lock Washer
Stainless Flat Washer
Torque 14-20 Nm [125-175 in-lb]

Mounting Hardware

M5 [No. 10] Bolts (not incl.)
Torque 2-4 Nm [18-35 in-lb]

Technical Specification	
Continuous Current	400A w/ 300MCM (see graph on reverse)
Max Current—1 sec	3000A
Max Current—10 sec	2000A
Max Current—90 sec	1000A
Contact Voltage Drop (max)	150mV at 400A
Insulation Resistance (min)	100MΩ (50MΩ after life)
Dielectric Withstanding	1500VRMS (1050 VRMS after life)
Operate Time (max)	20 msec (include bounce)
Release Time (max)	12 msec
Weight	1.1 lb with hardware (500 grams)

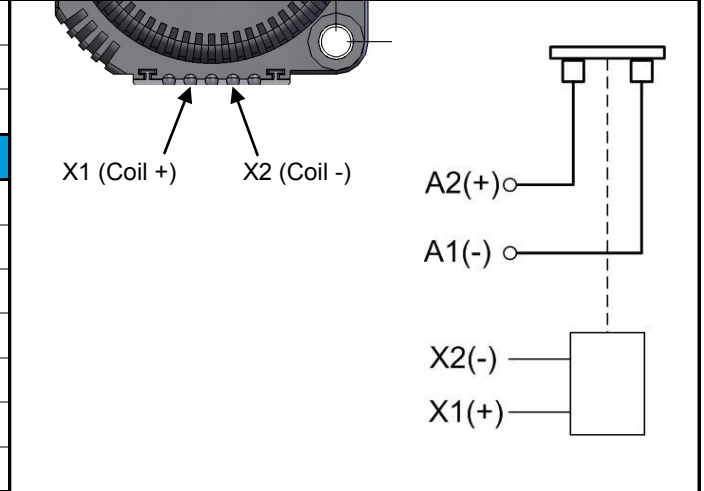
MXNC14

Coil Voltage:
B = 12V
C = 24V
F = 48V

Coil Wire:
A = 38 cm (15 in)
B = 61 cm (24 in)
C = 122 cm (48 in)

Resistive Load Switching	
400A at 24 VDC	100,000 cycles
Mechanical Life	300,000 cycles
Fault Interrupt @ 28VDC	3000A

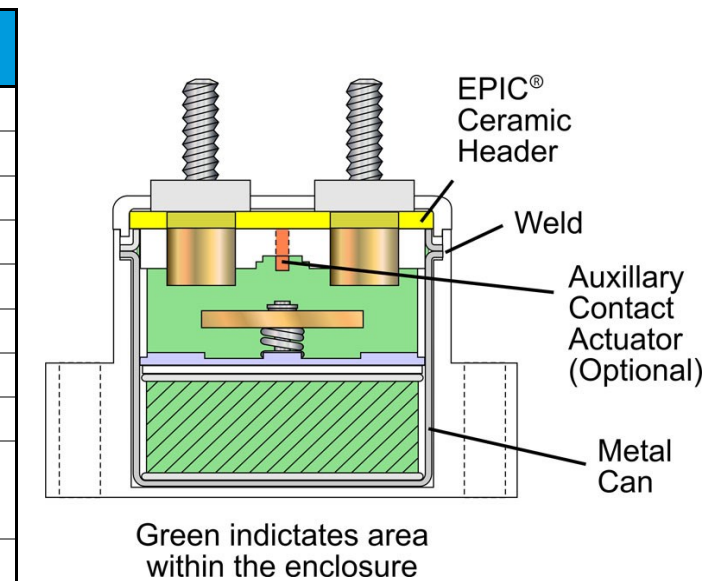
Power Circuit and Installation



Environmental Specifications	
Seal	Hermetic, 10 E-9 atm cc/sec
Temperature Range	-55°C to +100°C
Shock	Sawtooth @ 20G, 11ms, ½ Sine @ 25G, 11ms
Vibration	10-2000 Hz, 20G
Water / Steam	2750 psi waterjet, 105 psi steam, boiling water
Salt Spray Corrosion	MIL-STD-810G
Resistant to corrosion, chemicals, and fungal growth	

Coil Data
 *Contact factory for additional coil voltages

Coil Part #	B	C	F
Nominal Voltage	12 VDC	24 VDC	48 VDC
Max Voltage	16 VDC	32 VDC	60 VDC
Pickup Voltage (max)	8 VDC	16 VDC	32 VDC
Dropout Voltage	0.2 to 4 VDC	0.5 to 10 VDC	1 to 20 VDC
Pull-in Current (max 75ms)	4.2 A	1.6 A	0.8 A
Coil Current (Amps)	0.15 A	0.07 A	0.035 A
Coil Power (Watts)	1.8 W	1.68 W	1.68 W
Internal Coil Suppression (Transorb)			
Coil Back EMF	55 V		125 V



Options and Accessories
